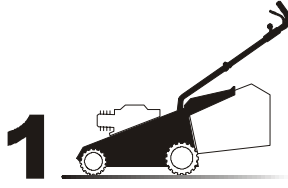
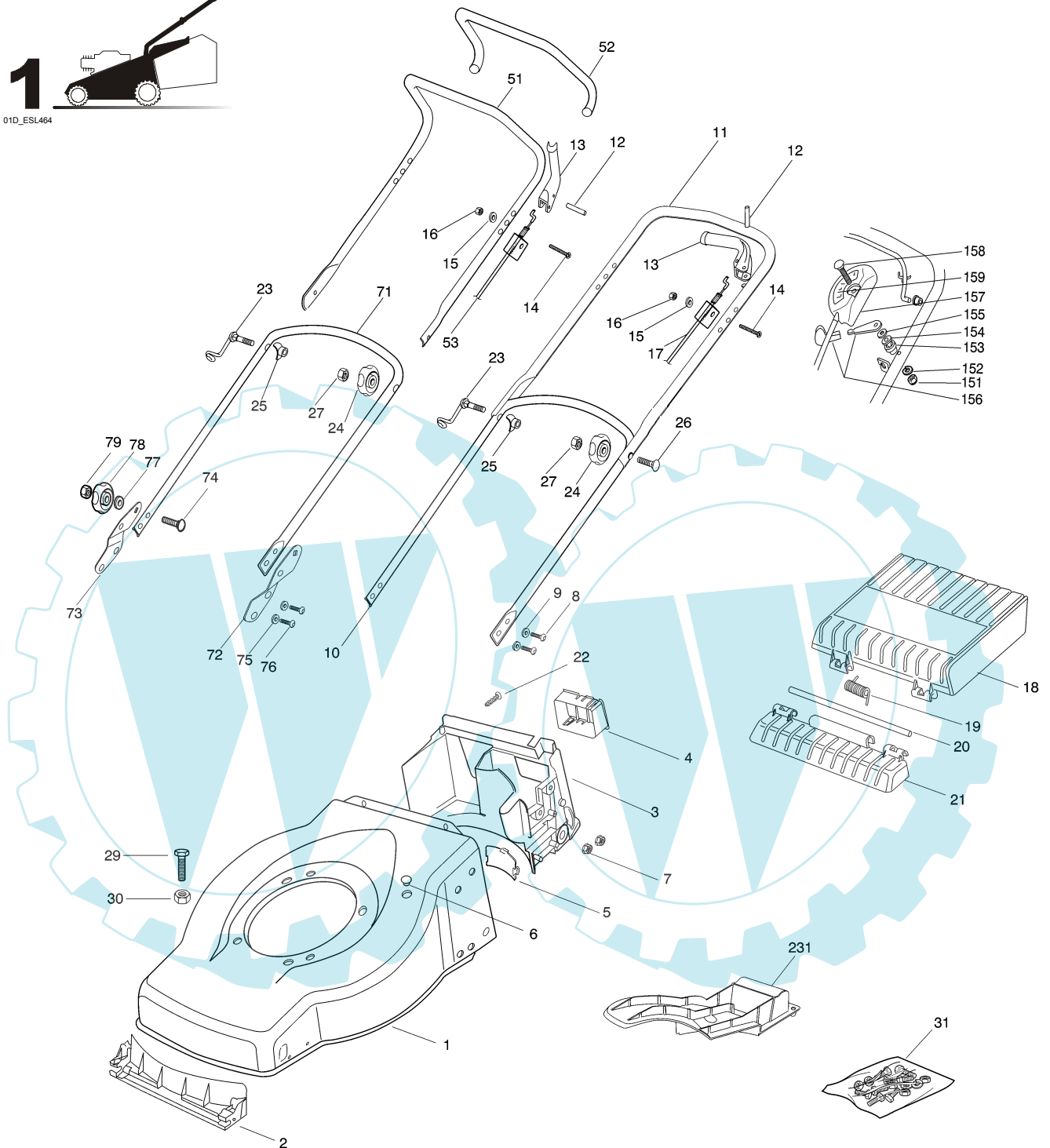




GLOBAL GARDEN PRODUCTS



01D_ESL464



Pos.	Code	Q.ty	Descrizione	Description	Description	Beshreibung	Remarks
1	81002536/0	1	CHASSIS ROSSO	DECK RED	CHÂSSIS ROUGE	GEHÄUSE ROT	
2	22108271/0	1	CONVOGL. ANTERIORE	FRONT CONVEYOR ASSY	ENS. CONVOYEUR AVANT	HINTERLEITBLECHVORDER	
3	22108272/1	1	CONVOGL. POSTERIORE	REAR CONVEYOR ASSY	ENS. CONVOYEUR POST.	HINTERLEITBLECHSATZ	
4	22109531/0	1	COPERCHIO	COVER	COUVERCLE	DECKEL	
5	22109532/0	1	COPERCHIO TRASMISSIONE	COVER	COUVERCLE	DECKEL	
6	18737854/1	1	TAPPO	CAP	BOUCHON	GUMMISTOPFEN	
7	22131750/0	4	DADO	NUT	ECROU	MUTTER	
8	12760605/0	4	VITE	SCREW	VIS	SCHRAUBE	
9	12521350/0	4	ROSETTA	WASHER	RONDELLE	SCHEIBE	

GLOBAL GARDEN PRODUCTS

Pos.	Code	Q.ty	Descrizione	Description	Description	Beshreibung	Remarks
10	81006570/0	1	MANICO, PARTE INF	HANDLE, LOWER PART	MANCHERON, PARTIE INFERIEURE	HOLM, UNTERTEIL	
11	81006577/0	1	MANICO, PARTE SUP	HANDLE, UPPER PART	MANCHERON, PARTIE SUPERIEURE	HOLM, OBERTEIL	
12	12645710/0	1	SPINA	PIN	GOUPILLE	STIFT	
13	22321700/0	1	LEVA FRENO MOTORE	LEVER, MOTOR BRAKE	LEVIER FREIN MOTEUR	HEBEL, MOTORBREMSE	
14	12674700/0	1	VITE	SCREW	VIS	SCHRAUBE	
15	12521330/0	1	ROSETTA	WASHER	RONDELLE	SCHEIBE	
16	12292100/0	1	DADO	NUT	ECROU	MUTTER	
17	81000681/0	1	CAVO FRENO MOTORE	CABLE, THREAD MOTOR BRAKE	CABLE FREIN MOTEUR	KABEL, MOTORBREMSE	(B&S - HONDA)
-	81000612/0	1	CAVO FRENO MOTORE	CABLE, THREAD MOTOR BRAKE	CABLE FREIN MOTEUR	KABEL, MOTORBREMSE	(SUMEC)
-	81000656/1	1	CAVO FRENO MOTORE	CABLE, THREAD MOTOR BRAKE	CABLE FREIN MOTEUR	KABEL, MOTORBREMSE	(TECUMSEH)
18	22600099/0	1	PROTEZIONE	PROTECTION	PROTECTION	SCHUTZ	
19	22450431/0	1	MOLLA	SPRING	RESSORT	FEDER	
20	22517858/0	1	PERNO	PIN	PIVOT	BOLZEN	
21	22785136/0	1	SUPPORTO	SUPPORT	SUPPORT	HALTER	
22	12728686/0	2	VITE	SCREW	VIS	SCHRAUBE	
23	81003801/1	1	MOLLA GUIDA	GUIDE SPRING	RESSORT DE GUIDE	FEDER FÜHRER	
24	22399804/0	2	MANOPOLINA	KNOB	POIGNÉE	GRIFF	
25	22680006/1	2	ROSETTA	WASHER	RONDELLE	SCHEIBE	
26	12819201/0	1	VITE	SCREW	VIS	SCHRAUBE	
27	12293200/0	2	DADO	NUT	ECROU	MUTTER	
29	12793701/0	3	VITE	SCREW	VIS	SCHRAUBE	
30	12293201/0	3	DADO	NUT	ECROU	MUTTER	
31	81008648/0	1	DOTAZIONE VITERIA	OUTFIT, SCREWS	DOTATION VISSERIE	SATZ, SCHRAUBEN	

VARIANTE MANICO SUPERIORE - UPPER HANDLE MODIFICATION - MODIFICATION MANCHERON SUPERIEURE - UBERHOLM ÄNDERUNGEN

Pos.	Code	Q.ty	Descrizione	Description	Description	Beshreibung	Remarks
51	81006578/0	1	MANICO, PARTE SUP	HANDLE, UPPER PART	MANCHERON, PARTIE SUPERIEURE	HOLM, OBERTEIL	
52	22291057/0	1	IMPUGNATURA MANICO	HANDGRIP	POIGNÉE	HANDGRIFF	
53	81000655/0	1	CAVO FRENO MOTORE	CABLE, THREAD MOTOR BRAKE	CABLE FREIN MOTEUR	KABEL, MOTORBREMSE	(B&S - HONDA)
-	81000656/1	1	CAVO FRENO MOTORE	CABLE, THREAD MOTOR BRAKE	CABLE FREIN MOTEUR	KABEL, MOTORBREMSE	(TECUMSEH)

VARIANTE MANICO INFERIORE - LOWER HANDLE MODIFICATION - MODIFICATION MANCHERON INFERIEURE - UNTERHOLM ÄNDERUNGEN

Pos.	Code	Q.ty	Descrizione	Description	Description	Beshreibung	Remarks
71	81006576/0	1	MANICO, PARTE INF	HANDLE, LOWER PART	MANCHERON, PARTIE INFERIEURE	HOLM, UNTERTEIL	
72	81005113/0	1	STAFFA SX	BRACKET, L	BRIDE G	PRATZE, LINKE	
73	81005111/0	1	STAFFA DX	BRACKET, R	BRIDE D	PRATZE, RECHTE	
74	12818900/0	2	VITE	SCREW	VIS	SCHRAUBE	
75	12521350/0	4	ROSETTA	WASHER	RONDELLE	SCHEIBE	
76	12760605/0	4	VITE	SCREW	VIS	SCHRAUBE	
77	22671653/0	2	ROSETTA	WASHER	RONDELLE	SCHEIBE	
78	22399804/0	2	MANOPOLINA	KNOB	POIGNÉE	GRIFF	
79	12293200/0	2	DADO	NUT	ECROU	MUTTER	

VARIANTE ACCELERATORE - THROTTLE MODIFICATION - MODIFICATION COMMANDE D'ACCELERATION - ÄNDERUNGEN AUF GASHEBEL

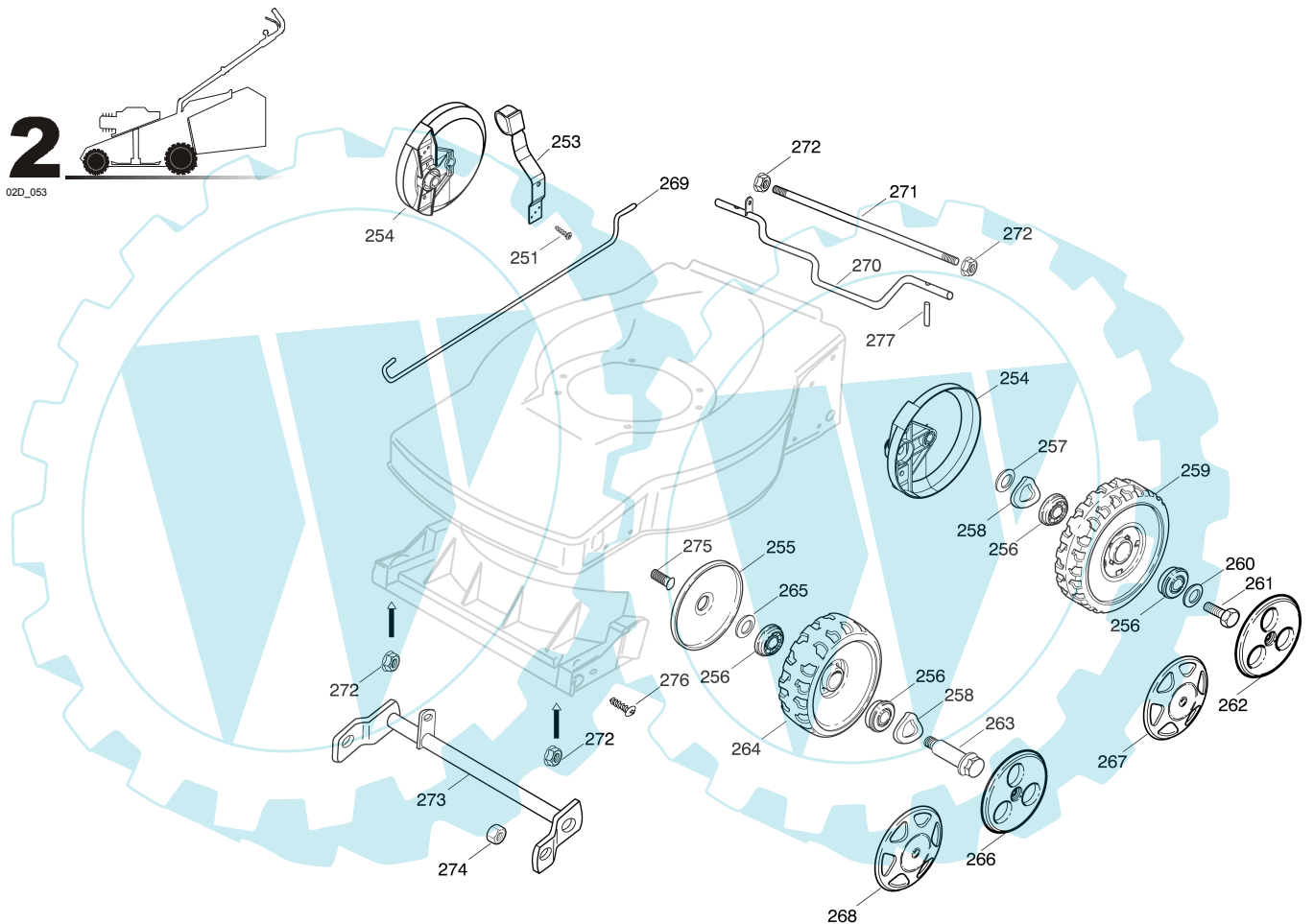
Pos.	Code	Q.ty	Descrizione	Description	Description	Beshreibung	Remarks
151	12291000/0	2	DADO	NUT	ECROU	MUTTER	
152	12581500/0	4	GROWER	GROWER	GROWER	FEDERRING	
153	22171005/0	4	DISTANZIALE	SPACER	ENTRETOISE	DISTANZRING	
154	12521360/0	4	ROSETTA	WASHER	RONDELLE	SCHEIBE	
155	12508100/0	1	ROSETTA ELASTICA	SPRING WASHER	RONDELLE ELASTIQUE	ELASTISCHE SCHEIBE	
156	81007279/1	1	LEVA, ACCELERATORE	LEVER, THROTTLE	LEVIER, ACCELERATEUR	HEBEL, BESHLEUNIGER	
157	81007080/0	1	CAVO ACCELERATORE	CABLE, TROTTLE	CABLE, ACCELERATEUR	KABLE, BESCHLEUNIGER	

GLOBAL GARDEN PRODUCTS

Pos.	Code	Q.ty	Descrizione	Description	Description	Beshreibung	Remarks
158	12815000/0	1	VITE	SCREW	VIS	SCHRAUBE	
159	14356703/0	1	ETICHETTA	LABEL	ETIQUETTE	ETIKETTE	(B&S)
-	14356702/0	1	ETICHETTA	LABEL	ETIQUETTE	ETIKETTE	(HONDA)
-	14356703/0	1	ETICHETTA	LABEL	ETIQUETTE	ETIKETTE	(SUMEC)
-	14356905/0	1	ETICHETTA	LABEL	ETIQUETTE	ETIKETTE	(TECUMSEH)

VARIANTE MULCHING - MULCHING MODIFICATION - MODIFICATION MULCHING - ÄNDERUNGEN MULCHING

Pos.	Code	Q.ty	Descrizione	Description	Description	Beshreibung	Remarks
231	22140226/0	1	DEFLETTORE	DEFLECTOR	DEFLECTEUR	DEFLEKTOR	



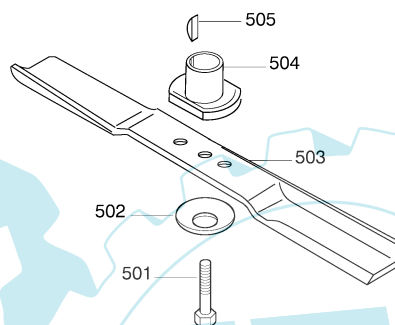
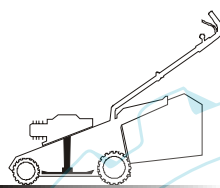
Pos.	Code	Q.ty	Descrizione	Description	Description	Beshreibung	Remarks
251	12728689/0	2	VITE	SCREW	VIS	SCHRAUBE	
253	81003303/0	1	LEVA REGOLAZIONE ALTEZZA	LEVER, HEIGHT ADJUSTMENT	LEVIER REGLAGE HAUTEUR	HEBEL, HÖNEVERSTELLUNG	
254	22600106/1	2	PROT. RUOTE	PROTECTION, WHEEL	PROTECTION ROUE	SCHÜTZ, RÄDER	
255	22600095/0	2	PROTEZIONE	PROTECTION	PROTECTION	SCHUTZ	
256	22122202/0	8	CUSCINETTO	BEARING	COUSSINET	LAGER	
257	22671652/0	2	ROSETTA	WASHER	RONDELLE	SCHEIBE	
258	22675100/0	4	ROSETTA	WASHER	RONDELLE	SCHEIBE	
259	81007347/0	2	RUOTA Ø 190	WHEEL Ø 190	ROUE Ø190	RAD Ø 190	
260	12523050/0	2	ROSETTA	WASHER	RONDELLE	SCHEIBE	
261	12735599/0	2	VITE	SCREW	VIS	SCHRAUBE	
262	22110338/1	2	COPRIMOZZO BIANCO	HUB CAP WHITE	COUVRE-MOYEU BLANC	RADKAPPE WEIßE	
263	22524322/0	2	PERNO	PIN	PIVOT	BOLZEN	
264	81007346/0	2	RUOTA Ø 165	WHEEL Ø 165	ROUE Ø 165	RAD Ø 165	
265	22671653/0	2	ROSETTA	WASHER	RONDELLE	SCHEIBE	

GLOBAL GARDEN PRODUCTS

Pos.	Code	Q.ty	Descrizione	Description	Description	Beshreibung	Remarks
266	22110320/1	2	COPRIMOZZO BIANCO	HUB CAP WHITE	COUVRE-MOYEU BLANC	RADKAPPE WEIÙE	
267	22110346/0	2	COPRIMOZZO GRIGIO	HUB CAP GREY	COUVRE-MOYEU GRIS	RADKAPPE GRAU	
268	22110312/0	2	COPRIMOZZO GRIGIO	HUB CAP GREY	COUVRE-MOYEU GRIS	RADKAPPE GRAU	
269	22033317/0	1	ASTA REGOLAZIONE	ADJUSTMENT ROD	TIGE REGLAGE	VERSTELLUNGSTANGE	
270	81000155/0	1	ASSE RUOTE POSTERIORE	AXLE, REAR WHEELS	AXE ROUES ARRIERE	ACHSE, HINTERRAD	
271	22033369/0	1	ASSE RUOTE POSTERIORE	AXLE, REAR WHEELS	AXE ROUES ARRIERE	ACHSE, HINTERRAD	
272	22131750/0	4	DADO	NUT	ECROU	MUTTER	
273	81000153/0	1	ASSE RUOTE ANTERIORE	AXLE, FRONT WHEELS	AXE ROUES AVANT	ACHSE, VORDERRAD	
274	12155000/0	2	DADO	NUT	ECROU	MUTTER	
275	12760600/0	2	VITE	SCREW	VIS	SCHRAUBE	
276	12728686/0	8	VITE	SCREW	VIS	SCHRAUBE	
277	22753001/0	2	SPINA	PIN	GOUPILLE	STIFT	

5

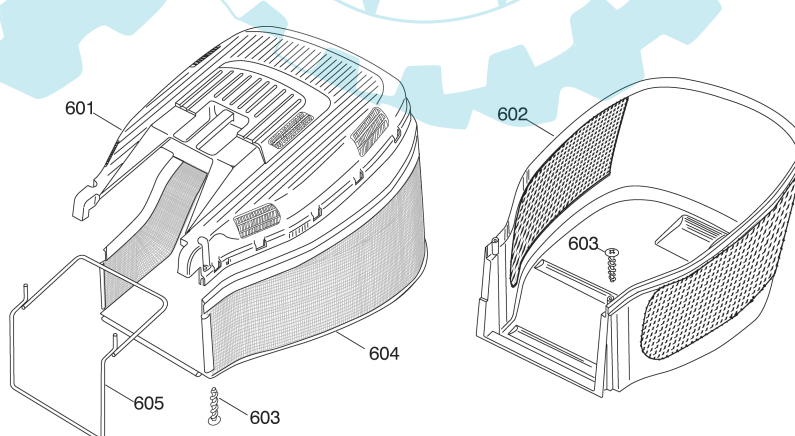
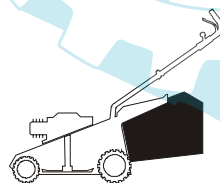
05D_036



Pos.	Code	Q.ty	Descrizione	Description	Description	Beshreibung	Remarks
501	12735698/0	1	VITE	SCREW	VIS	SCHRAUBE	
502	12369600/0	1	DISCO	COVER	DISQUE	SCHEIBE	
503	81004121/0	1	COLTELLO	BLADE	LAME	MESSER	
504	22465615/0	1	MOZZO	HUB	MOYEU	HALTER	
505	12139100/0	1	LINGUETTA	FEATHER	CLAVETTE	KEIL	

6

06D_015



Pos.	Code	Q.ty	Descrizione	Description	Description	Beshreibung	Remarks
601	22486122/0	1	PORTE SUP.SACCO	GRASSBOX UPPER PART	SAC, PARTIE SUPERIEURE	KORB OBERTEIL	
602	22486128/0	1	PORTE INFER. SACCO	GRASSBOX LOWER PART	SAC, PARTIE INFERIEURE	KORB UNTERTEIL	
603	12728686/0	2	VITE	SCREW	VIS	SCHRAUBE	
604	81002229/0	1	SACCO, TELA	BOX, FABRIC	SAC, TOILE	SACK, TUCK	
605	81006419/0	1	TELAIO SACCO	CHASSIS BOX	CHÁSSIS BAC	RAHMEN SACK	